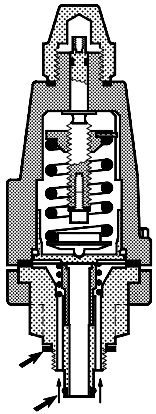


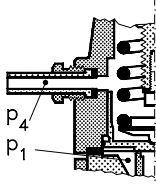
027R9632

027R9632



CVP (HP/HD)

DANFOSS  
A27B120.14

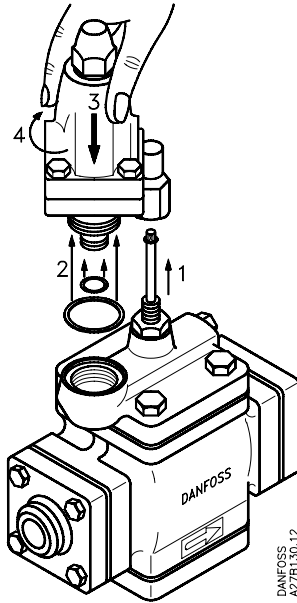


CVPP (HP/HD)

$$\Delta p: p_4 - p_1 \leq 3 \text{ bar}$$

DANFOSS  
A27B121.13.42

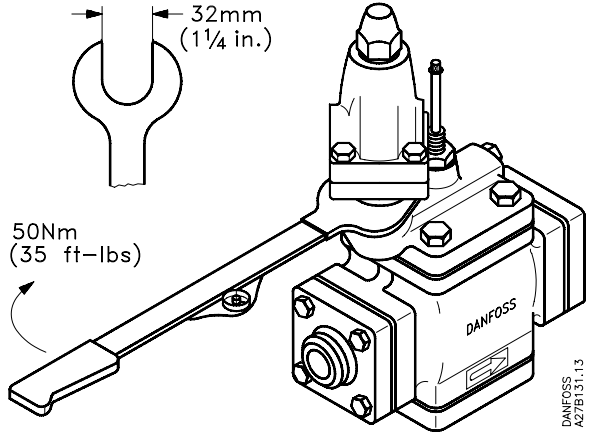
CFC, HFC, HCFC, R 717 (NH<sub>3</sub>)



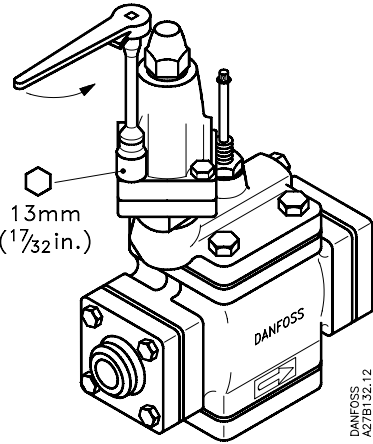
DANFOSS  
A27B130.12

32mm  
(1 1/4 in.)

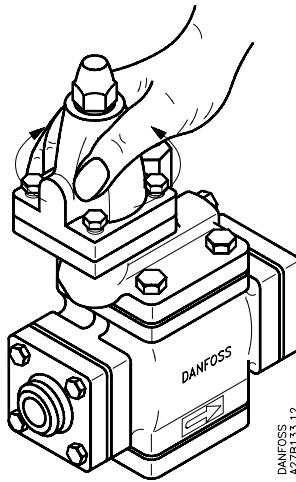
50Nm  
(35 ft-lbs)



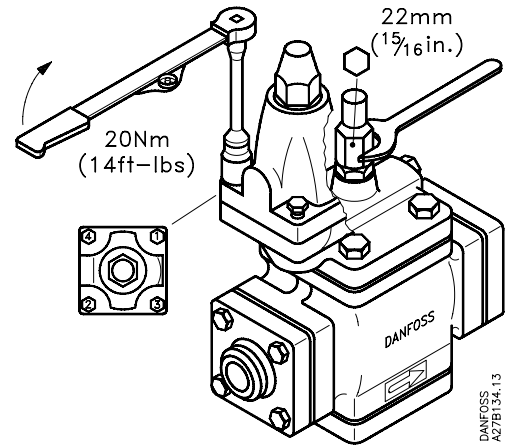
DANFOSS  
A27B131.13



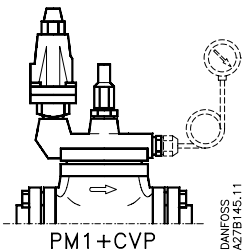
DANFOSS  
A27B132.12



DANFOSS  
A27B133.12

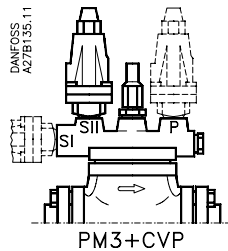


DANFOSS  
A27B134.13



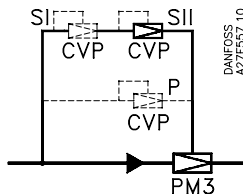
PM1+CVP

DANFOSS  
A27B146.11

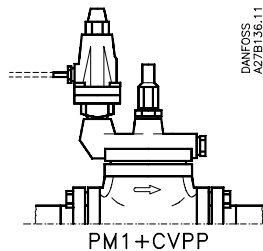


PM3+CVP

DANFOSS  
A27B135.11

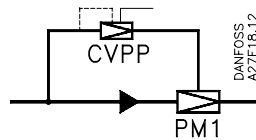


DANFOSS  
A27F557.10

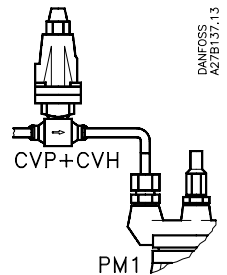


PM1+CVPP

DANFOSS  
A27B136.11

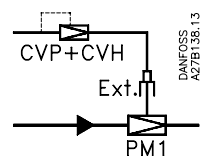


DANFOSS  
A27F18.12

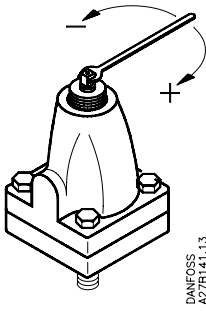
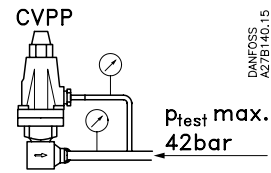
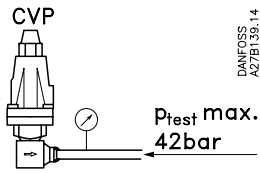


PM1

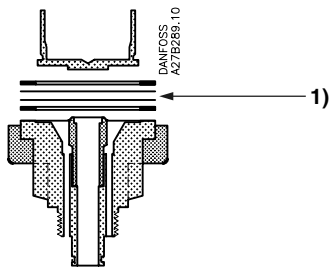
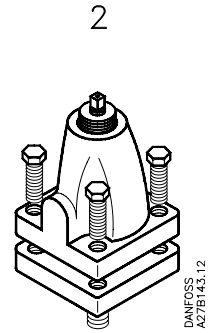
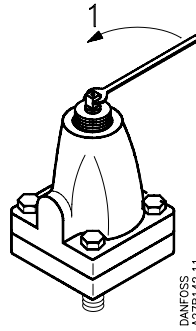
DANFOSS  
A27B137.13



DANFOSS  
A27B138.13



Range bar	1 turn 360° $\Delta$
-0.66 → 7 bar	0.45 bar
4 → 22 bar	1.4 bar
4 → 28 bar	2 bar



Range bar	1) Pcs.
-0.66 → 7 bar	1
4 → 22 bar	2
4 → 28 bar	2

### Spare Parts

Please see Spare Parts Catalogue.